

primus

Industrial Tumble Dryers T 11, T 13, T 13/13, T 16



STACKED DRYER
T 13/13



FEATURES

- Standard stainless steel drum with large diameter
- Easy to use microprocessor
- Combination of Radial and Axial airflow - RADAX® concept:
 - maximal heat transfer
 - low energy consumption
 - short drying time
- Large door opening for easy loading and unloading

OPTIONS

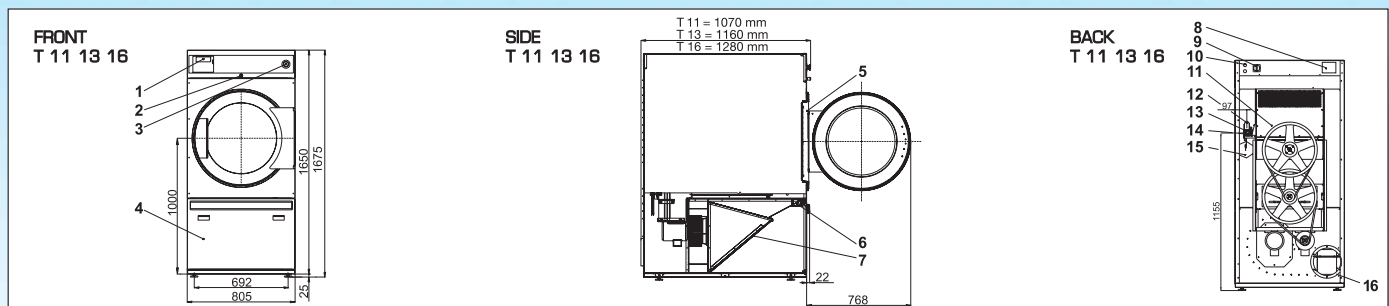
- Coin operated version
- Reversing drum
- Full Control programmer
- Residual moisture control Sensodry®:
 - safe drying of delicate linen
 - humidity detection in °C
 - ideal in combination with Softwash
 - ideal for dry cleaners, fire depts
 - available on Easy and Full Control
- LPMS networking software
- Stainless steel front

radax^{airflow}

senso.dry®

TYPE		T 11	T 13	T 13/13	T 16
CAPACITY					
Drum capacity	kg	11	13	2x13	16
Drum volume	l	250	285	2x285	345
Drum dimensions	mm	∅760x540	∅760x630	∅760x630	∅760x750
Number of drums		1	1	2	1
Number of loading doors		1	1	2	1
AIRFLOW	m ³ /h	650-680	630-760	630-760	830-940
DRYING AVERAGE	l/min	0,205	0,200	0,200	0,225
MOTORS					
Fan	kW	0,75	0,75	2x0,37	0,37
Drive	kW	0,37	0,37	2x0,75	0,75
GAS HEATING					
Gas connection	NPT	3/4"	3/4"	2x3/4"	3/4"
Electrical connection		220V-240V/1/50Hz (380V-415V/3/50Hz-60Hz)			
Energy	kW	16,5	19,5	2x19,5	25
	kBTU/h	61,1	79,8	2x79,8	110,5
STEAM HEATING					
Steam connection	NPT	G 3/4"	G 3/4"	2xG 3/4"	G 3/4"
Electrical connection		220V-240V/1/50Hz (380V-415V/3/50Hz-60Hz)			
Steam high pressure	kg/h(kW)	43,4 (24,8)	43,4 (24,8)	2x43,4 (24,8)	52,6 (30)
	kBTU/h	84,6	84,6	2x84,6	102
ELECTRICAL HEATING					
Electrical connection		380V-415V/3/50Hz-60Hz			
Energy	kW	13,5	18,0	2x18,0	24,0
PROGRAMMER					
Easy control - antivandalism		Standard	Standard	Standard	Standard
Full control		Available	Available	Available	Available
EXHAUST	mm	200	200	200	200
DIMENSIONS					
Size HxWxD	mm	1675x805x1070	1675x805x1160	2020x805x1200	1675x805x1280
TRANSPORT DATA					
Gross weight	kg	240	265	385	270
Net weight	kg	230	250	370	250
Packed HxWxD	mm	1785x855x1100	1785x855x1190	2075x855x1230	1785x855x1310

- | | | |
|---|--|--------------------------------|
| 1. Programmer | 7. Lint screen | 14. Gas supply (G models only) |
| 2. Lock of the control panel | 8. Name plate | 15. Airflow switch |
| 3. Emergency stop button (not applicable for version with coin meter) | 9. Main switch | 16. Exhaust piping |
| 4. Lint screen cover | 10. Main power supply | |
| 5. Door lock microswitch | 11. Heating chamber | |
| 6. Lint cover microswitch | 12. Gas valve (G models only) | |
| | 13. Pressure regulator (G models only) | |



The company Primus bvba preserves the right to change the machines and the specifications in this leaflet at any time, without prior notice. Details and photographs are only for information and never binding.

www.primuslaundry.com

primus

Bvba
Certified Company
ISO 9001



Quality **without**
compromise