

primus

Rigid Mounted Industrial Washer Extractors RS 18, RS 22



FEATURES

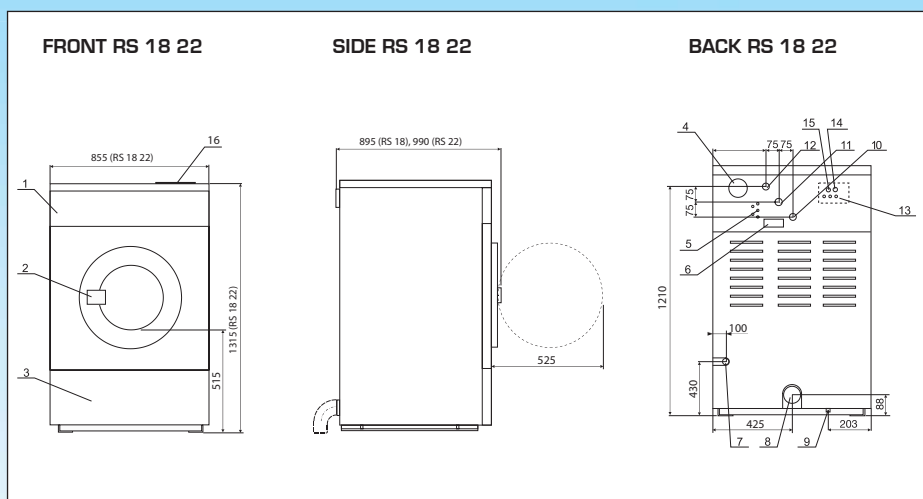
- Rigid mounted, medium spin
- Stainless steel cabinet (AISI 304)
- Stainless steel drum and tub
- Large drain valve (Ø76 mm)
- Easy access to all parts
- Patented soap hopper and drain valve (Liqui-Mix® system)
- Frequency controlled motor
- PowerWash® perforated lifting ribs: more mechanical action, lower water consumption
- Measurement of unbalance by means of frequency inverter

OPTIONS

- Full control (FC) microprocessor
- Coin operated timer
- Anti-vandalism fascia panel
- Liquid soap pumps
- Water recovery kit
- Trace Tech® traceability software and networking system

TRACE-TECH®
Liqui-mix®
POWERWASH®

TYPE		RS 18	RS 22
CAPACITY			
Drum volume	l	181	217
Capacity	kg/lb	18/40	22/50
Drum dimensions	mm	Ø700x420	Ø700x565
MOTOR			
Frequency controlled		standard	standard
DRUM SPEED			
Wash speed	rpm	44	44
Spin speed	rpm	505	480
G-factor spin speed		100	90
PROGRAMMER			
Microprocessor EC		standard	standard
Microprocessor FC		+	+
CABINET			
Stainless steel AISI 304		standard	standard
Coloured panels		+	+
FIXING			
		yes (6 pcs. M16x160)	yes (6 pcs. M16x160)
HEATING			
100% hot water	°C	90	90
	°F	194	194
100% electrical	kW	12-18	12-18
Steam high pressure	bar	3-8	3-8
CONNECTION			
Electrical		1x220-240V 50/60Hz, 3x220-240V 50/60Hz 3x380-415V+N 50/60Hz, 3x380-480V 50/60Hz Others on request	
Water inlet	inch	3/4"	
Steam inlet	inch	1/2"	
DIMENSIONS			
HxWxD	mm	1315x855x895	1315x855x990
TRANSPORT DATA			
Gross weight			
Case packing	kg	290	300
Net weight	kg	280	280
Volume (packed)			
Case packing	m³	1,37	1.5
Case packing HxWxD	mm	1530x935x955	1530x935x1050
+ = Available			
Standard = Standard version			



1. Control panel
2. Door handle
3. Service panel
4. Air vent
5. Liquid soap hose connections
6. Name plate
7. Steam connection
8. Drain connection
9. Earthing connection
10. Hot water connection
11. Cold soft water connection
12. Cold hard water connection
13. Fuses
14. Electrical connection of machine
15. Electrical connection to liquid soap pumps
16. Soap hoppers

The company Primus preserves the right to change the machines and the specification in this leaflet at any time, without prior notice. Details and photographs are only for information and never binding.

www.primuslaundry.com

primus

Quality **without**
compromise

BQi
Certified Company
ISO 9001
ISO 14001

